

Coil Lifters and Upenders

Model 88 – Heavy Duty Coil Upender



Shown with V-Block Option

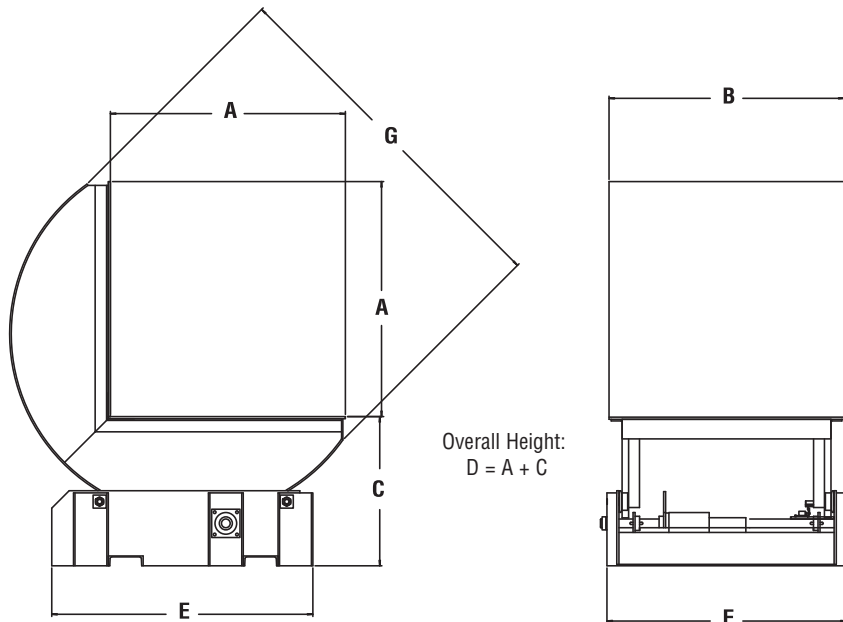
PRODUCT FEATURES:

- Fast and convenient way to upend coils to 90°.
- 240 or 480 operating voltage (specify).
- Heavy duty disc brake will stop load in any position.
- Reversing magnetic starter with pendant control and 10' cord.
- Stop travel/over travel limit switches.

PRODUCT OPTIONS:

- Larger platforms available.
- V-Block, either standard or urethane faced.
(Provide coil information. Height set to accommodate a 4" pallet unless otherwise specified.)
- 180° horizontal rotation which permits loading and unloading from same side.
- Lift truck fork pockets.

NOTE: Additional data may be required to properly size the drive system. Load information including dimensions and center of gravity should be provided.



SPECIFICATIONS

| Model Number | Capacity (tons) | Dimensions (inches) | | | | | | | Weight (lbs.) |
|--------------|-----------------|---------------------|----|----|------------------|----|----|----|---------------|
| | | A* | B | C | Overall Height D | E | F | G | |
| 88-1-36 | 1 | 36 | 36 | 24 | 60 | 48 | 36 | 51 | 1500 |
| 88-2-36 | 2 | 36 | 36 | 24 | 60 | 48 | 36 | 51 | 1600 |
| 88-3-42 | 3 | 42 | 42 | 24 | 66 | 56 | 42 | 60 | 2000 |
| 88-4-42 | 4 | 42 | 42 | 24 | 66 | 56 | 42 | 60 | 2200 |
| 88-5-48 | 5 | 48 | 48 | 30 | 78 | 61 | 48 | 66 | 2750 |
| 88-7 1/2-48 | 7-1/2 | 48 | 48 | 30 | 78 | 61 | 48 | 66 | 2900 |
| 88-10-54 | 10 | 54 | 54 | 30 | 84 | 60 | 55 | 74 | 3700 |
| 88-12 1/2-54 | 12-1/2 | 54 | 54 | 36 | 90 | 69 | 55 | 74 | 4000 |
| 88-15-60 | 15 | 60 | 60 | 36 | 96 | 73 | 60 | 80 | 4500 |
| 88-20-60 | 20 | 60 | 60 | 36 | 96 | 73 | 60 | 80 | 6200 |
| 88-25-72 | 25 | 72 | 72 | 43 | 115 | 88 | 72 | 96 | 10000 |
| 88-30-72 | 30 | 72 | 72 | 48 | 120 | 88 | 72 | 96 | 12000 |

*Coil center of gravity must be 1/2 of 'A'. If different please specify coil or load information.

Pallets must not extend over platform sides.

Other sizes available, consult factory.