

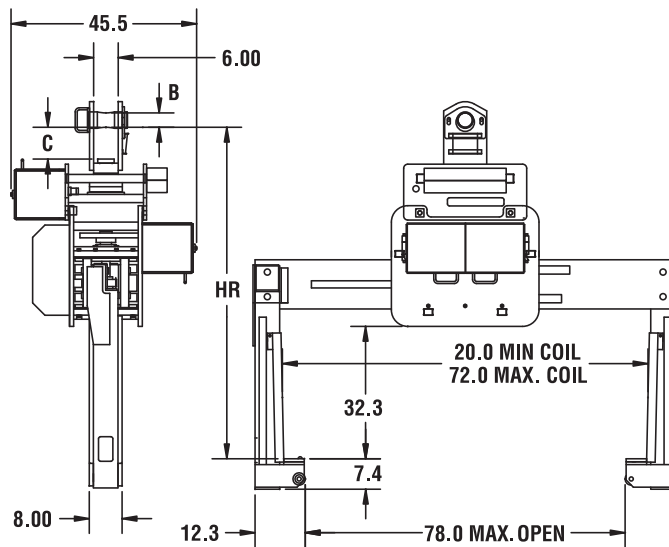
# Coil Lifters and Upenders

## Model 85R - Rotating Bail Telescoping Coil Grab



### PRODUCT FEATURES:

- Motorized leg drive maximizes the efficient handling of coils.
- Leg drive speed - 2.8" per second.
- Narrow aisle stacking maximizes coil storage floor space.
- Curved lifting pads for coil protection.
- High impact plastic toe rollers prevent lifter foot contact.
- Anti-clamp limit switch protects coil during closing of lifter.
- Heavy duty torque limiting drive protection during maximum open/closed conditions.
- Lockout limit switch prevents inadvertent leg opening during lift.
- Alloy steel pin bail.
- Easily replaceable slide wear guides.
- Design allows for easy maintenance access to drive components.
- Designed to operate on AC power supply.
- Motorized 350° rotation at approximately 2 RPM.
- Complies with ASME standards.



Outside width at 20" minimum coil dimension is 79-1/2".

**NOTE:** Dimensions shown in inches.

### SPECIFICATIONS

Model Number	Capacity (tons)	Dimensions (inches)						Weight (lbs.)
		Coil Width		HR Headroom	Throat	Pin/Bail		
		Min.	Max.			B	C	
85R-15-72	15	20	72	79-1/8	32	3	8	4200
85R-20-72	20	20	72	79-1/8	32	3	8	4300
85R-25-72	25	20	72	80-7/8	32	3-1/2	7-3/4	4600
85R-33-72	33	20	72	80-7/8	32	3-1/2	7-3/4	4700

Other sizes available, consult factory.

# Coil Lifters and Upenders

## Coil Lifters Features And Options

**Standard Enclosed Drive**  
Protects drive from impact yet still provides easy access for maintenance.

**Standard Alloy Steel Lifting Pin**  
Keeps headroom to a minimum.

**Optional Motorized Bail Rotation**  
Allows for independent and precise positioning of the load or the lifter.

**Standard Lockout Limit Switch**  
Prevents inadvertent leg opening during lift.

**Standard Anti Clamp & Toe Rollers**  
Protects sides of coil from lifter damage.

**Optional Lift Beam**  
Perform other lifts without the need to remove the grab from the crane hook.

**Optional Built In Load Scale**  
With digital readouts for precise coil weight.

**Optional Urethane Padding**  
Urethane coil edge protection attached to legs, feet, or both.

**Optional Indicator Lights**  
Visual indicator for various functions.

**Optional I.D. Photo-Electric Sensor**  
Photo-electric sensor indicates lifter foot alignment with coil I.D.

**Optional Parking & Maintenance Stands**  
Provides storage for lifter when not in use and easy access for normal inspection & maintenance. See page A.49.

**Optional Severe Duty Drive Package**  
For high cycle operations.

