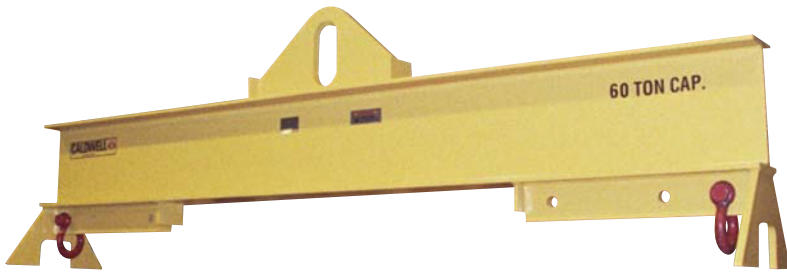


# Lifting Beams

## Model 20H – Low Headroom Multiple Spread Lifting Beam



Shown with optional Built-In Stand and different hole placement.

### PRODUCT FEATURES:

- 'I' beam construction.
- Three spreads to adjust to the load
  - Outside spread
  - Middle spread (outside less 1')
  - Inside spread (outside less 2')
- Swivel hooks with hook latches standard.
- Wide range of sizes and capacities available.
- Complies with ASME standards.

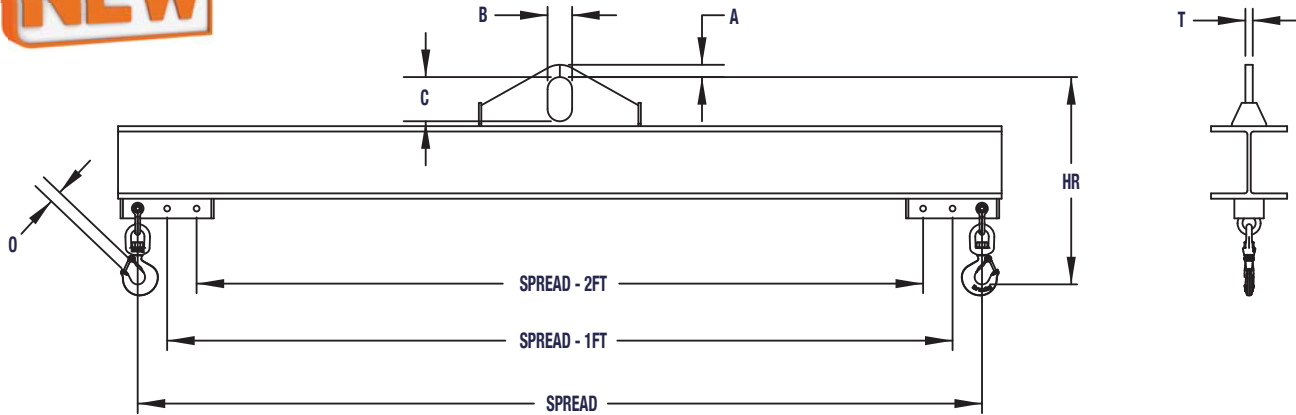
### SPECIFICATIONS

Capacity (tons)	Model Number HR Headroom (in.) Weight (lbs.)	Outside Spread (feet)						
		8	10	12	14	16	18	
1	Model Number HR Headroom Weight							
2	Model Number HR Headroom Weight							
3	Model Number HR Headroom Weight	<b>See pages A.8 and A.9 for these capacities and sizes.</b>						
5	Model Number HR Headroom Weight							
7-1/2	Model Number HR Headroom Weight							
10	Model Number HR Headroom Weight							
15	Model Number HR Headroom Weight					20H-15-16 41.50 1350	20H-15-18 41.75 1610	
20	Model Number HR Headroom Weight				20H-20-14 45.75 1210	20H-20-16 46 1510	20H-20-18 46.25 1885	
25	Model Number HR Headroom Weight				20H-25-14 55.75 1430	20H-25-16 55 1780	20H-25-18 56.75 2110	
30	Model Number HR Headroom Weight		20H-30-10 59.75 1150	20H-30-12 61.50 1395	20H-30-14 61.75 1695	20H-30-16 62 2050	20H-30-18 67.50 2380	
40	Model Number HR Headroom Weight	20H-40-8 71.50 1200	20H-40-10 72 1550	20H-40-12 72.25 1840	20H-40-14 72 2220	20H-40-16 74.75 2400	20H-40-18 75 3100	

Other sizes available, consult factory.

# Lifting Beams

**NEW**



## SPECIFICATIONS

Outside Spread (feet )							Other Dimensions (in.)	
20	24	30	34	38	42			
		<b>20H-1-30</b> 24 1250	<b>20H-1-34</b> 24 1605	<b>20H-1-38</b> 24 2120	<b>20H-1-42</b> 26 2810	A=7/8 B=3 C=5	T=3/4 O=7/8	
		<b>20H-2-30</b> 24 1560	<b>20H-2-34</b> 24 2130	<b>20H-2-38</b> 24.50 2680	<b>20H-2-42</b> 26.50 3410	A=1-1/2 B=3 C=5	T=1 O=7/8	
		<b>20H-3-30</b> 27.25 1840	<b>20H-3-34</b> 27.25 2070	<b>20H-3-38</b> 27.50 3110	<b>20H-3-42</b> 29 3890	A=1-1/2 B=3 C=5	T=1 O=1	
		<b>20H-5-30</b> 32 2325	<b>20H-5-34</b> 32 3130	<b>20H-5-38</b> 34 3950	<b>20H-5-42</b> 34 4760	A=2 B=4 C=7	T=1-1/4 O=1-3/8	
<b>20H-7 1/2-20</b> 34.75 1325	<b>20H-7 1/2-24</b> 34.75 1890	<b>20H-7 1/2-30</b> 35 2790	<b>20H-7.5-34</b> 36.75 3560	<b>20H-7.5-38</b> 37 4760	<b>20H-7.5-42</b> 37 5730	A=2 B=4 C=7	T=1-1/4 O=1-5/8	
<b>20H-10-20</b> 35.75 1500	<b>20H-10-24</b> 36 2100	<b>20H-10-30</b> 37.75 3190	<b>20H-10-34</b> 38 4300	<b>20H-10-38</b> 38 5230	<b>20H-10-42</b> 38.50 6910	A=2 B=4 C=7	T=1-1/4 O=1-5/8	
<b>20H-15-20</b> 42 1915	<b>20H-15-24</b> 41.50 2340	<b>20H-15-30</b> 42.25 4255	<b>20H-15-34</b> 42.25 4230	<b>20H-15-38</b> 42.50 6340	<b>20H-15-42</b> 43 8420	A=2-1/2 B=5 C=9	T=1-1/2 O=2-1/16	
<b>20H-20-20</b> 48 2225	<b>20H-20-24</b> 48.50 3155	<b>20H-20-30</b> 49.25 5040	<b>20H-20-34</b> 49.25 6250	<b>20H-20-38</b> 55.25 8170	<b>20H-20-42</b> 55.50 9930	A=2-3/4 B=5 C=9	T=1-1/2 O=2-1/4	
<b>20H-25-20</b> 59.75 2590	<b>20H-25-24</b> 60 3545	<b>20H-25-30</b> 60.75 5380	<b>20H-25-34</b> 64 7425	<b>20H-25-38</b> 64.50 9100	<b>20H-25-42</b> 67.25 11235	A=3 B=6 C=12	T=1-3/4 O=2-1/4	
<b>20H-30-20</b> 67.75 2850	<b>20H-30-24</b> 68 4040	<b>20H-30-30</b> 73.75 5725	<b>20H-30-34</b> 71.75 7930	<b>20H-30-38</b> 69.75 10100	<b>20H-30-42</b> 70 12300	A=3-1/2 B=7 C=16	T=2 O=2-1/4	
<b>20H-40-20</b> 78 3680	<b>20H-40-24</b> 81 4920	<b>20H-40-30</b> 84.25 6810	<b>20H-40-34</b> 77 9310	<b>20H-40-38</b> 80 11500	<b>20H-40-42</b> 83 14510	A=3-1/2 B=7 C=16	T=2-1/2 O=3	



### OPTION A

#### Extra Holes or Different Placement of Holes

Allows multiple hook positioning beyond standard 3 spreads. Specify number and spread(s) required.

### OPTION B

#### Extra Shackles and Swivel Hooks

Allows for multiple pick points or eliminates the need to move hardware for different size loads.



### OPTION C

#### Built In stand

Keeps beam upright for easy crane hook attachment (pictured above).