

Sheet Lifters

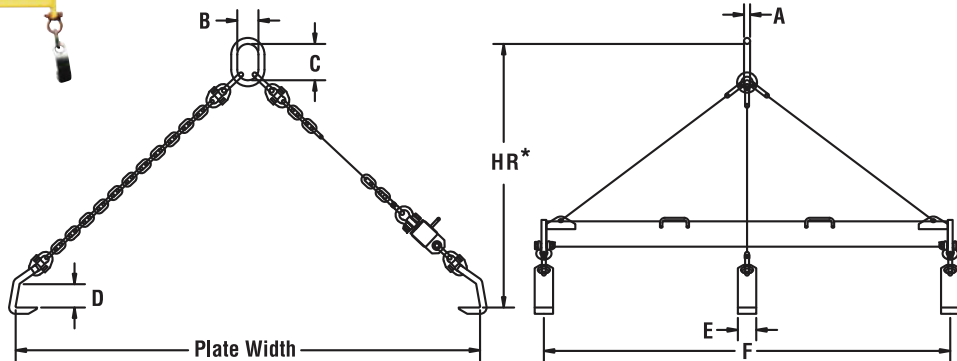
Model PL – Plate Lifters

The Strong-Bac® Plate Lifter provides a quick and easy solution for handling thick plates, one at a time. Simply position the Plate Lifter over your load, check to see that the hooks are engaged and lift.

QUICKSHIP PROGRAM

PRODUCT FEATURES:

- Rugged-chain rigging.
- Heavy duty plate hooks.
- Design allows for easier crane alignment.
- Steel spreader stabilizes two hooks.
- Complies with ASME standards.



SPECIFICATIONS

Model Number	Rated Capacity (tons)	Dimensions (inches)							Plate Width (in.)		Weight (lbs.)
		A	B	C	D	E	F	HR	Min.	Max.	
PL-5	5	1	3.5	6	3	2.3	84	58	36	96	185
PL-10	10	1.25	4.38	7.5	5	3.8	84	58	36	96	320

* Headroom at maximum plate width.

Operation

