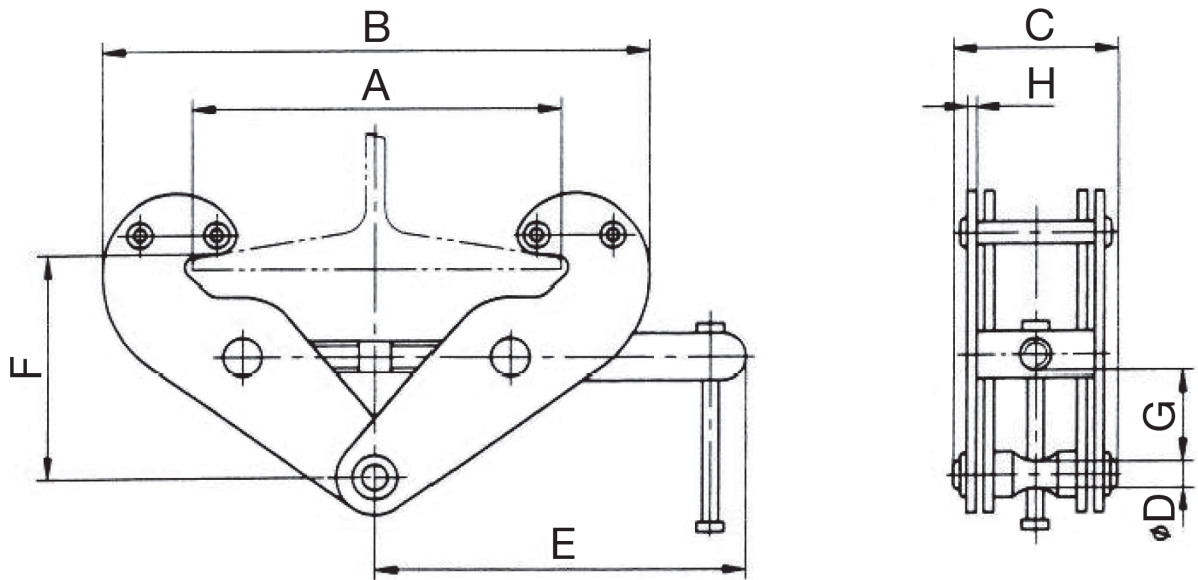




# BEAM CLAMP PIN TYPE

## Specifications



Pin Type	MODEL	BC100P	BC200P	BC300P	BC500P	BC1000P	
	RATED CAPACITY (LBS)	2,200	4,400	6,600	11,000	22,000	
	FITS FLANGE WIDTH (IN)	3.0 - 9.0	3.0 - 9.0	3.1 - 12.5	3.5 - 12.5	3.5 - 12.5	
INCHES	B	A max	11	11	14	14	14
		min	7.2	7.2	8.7	8.7	9.9
		max	15	15	19.6	19.6	19.6
		C	2.5	3	4	4.5	4.8
		H	0.16	0.24	0.32	0.4	0.47
		E	8.6	8.6	10.9	10.9	11.2
	F	min	3.5	3.5	5.7	5.7	6.3
		max	5.9	5.9	8.6	8.6	9
		G	1	1	2	1.9	2
		D	0.75	0.83	0.91	1.14	1.54
		I	0.78	0.78	0.9	0.9	1.18
	NET WEIGHT (LBS)	8	10	21	24	35	